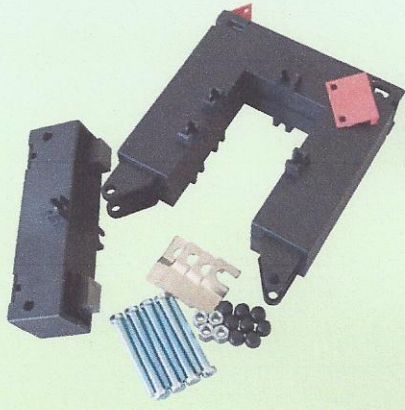


Description

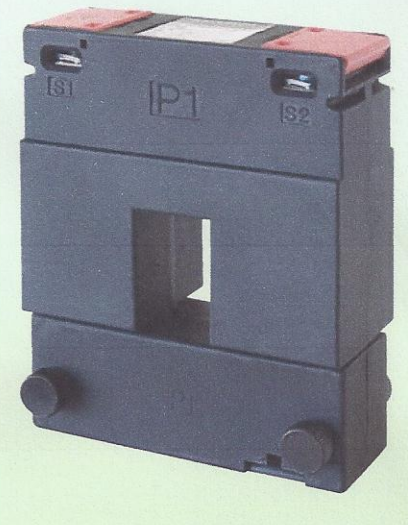
A range of split core transformers designed for installation into existing plants where removal of busbars/cable lugs prevent installation of standard current transformers.

To measure a.c primary currents and produce a proportional secondary current signal.

NOTE: All CT's have hinged terminal covers and are supplied with push-in fixing feet and busbar fixing clamps.

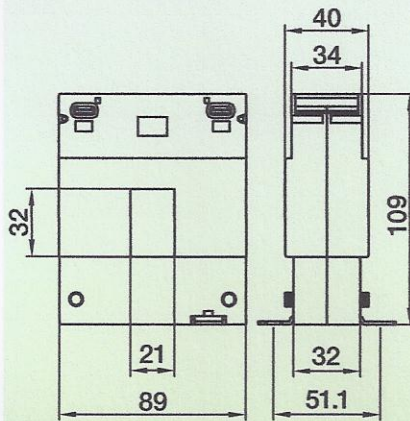


DBP-23



Busbar window : 20x30mm
 Secondary terminals : M4 Screws
 Built-in Terminal covers
 Weight : 0.75Kg

Dimensions



Current Transformer Ratios

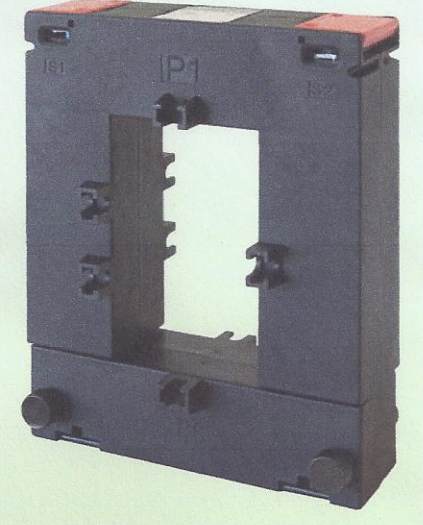
| Primary current | Burden DBP23 | | |
|-----------------|--------------|----------|----------|
| | cl. 0-5 VA | cl. 1 VA | cl. 3 VA |
| 100 | - | - | 1.5 |
| 150 | - | - | 2 |
| 200 | - | 1.5 | 2.5 |
| 250 | - | 2 | 4 |
| 300 | 1.5 | 4 | 6 |
| 400 | 2.5 | 6 | 10 |

1A or 5A secondary

How to Order / Model Reference

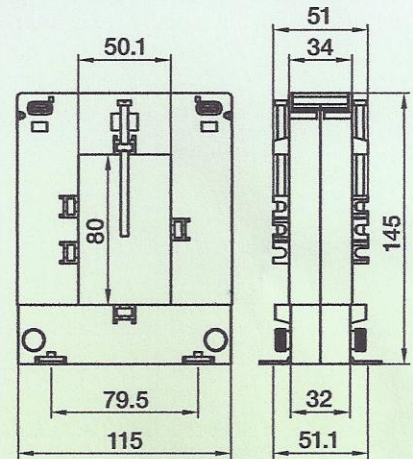
Model DBP-23 200 /5A
 Primary Current (see table above)
 Secondary Current : 5A

DBP-58



Busbar window : 50x80mm
 Secondary terminals : M4 Screws
 Built-in Terminal covers
 Weight : 0.90Kg

Dimensions



Current Transformer Ratios

| Primary current | Burden DBP23 | | |
|-----------------|--------------|----------|----------|
| | cl. 0-5 VA | cl. 1 VA | cl. 3 VA |
| 250 | 1 | 2 | 4 |
| 300 | 1.5 | 3 | 6 |
| 400 | 1.5 | 3 | 10 |
| 500 | 2.5 | 5 | 15 |
| 600 | 2.5 | 5 | 15 |
| 750 | 3 | 6 | 20 |
| 800 | 3 | 7.5 | 20 |
| 1000 | 5 | 10 | 20 |

1A or 5A secondary

How to Order / Model Reference

Model DBP-58 400 /5A
 Primary Current (See table above)
 Secondary Current : 5A